
6 Parts and diagrams

- [Assembly locations](#)
- [Covers](#)
- [Internal assemblies](#)
- [Alphabetical parts list](#)
- [Numerical parts list](#)

Assembly locations

Figure 6-1 Assembly locations (1 of 1)

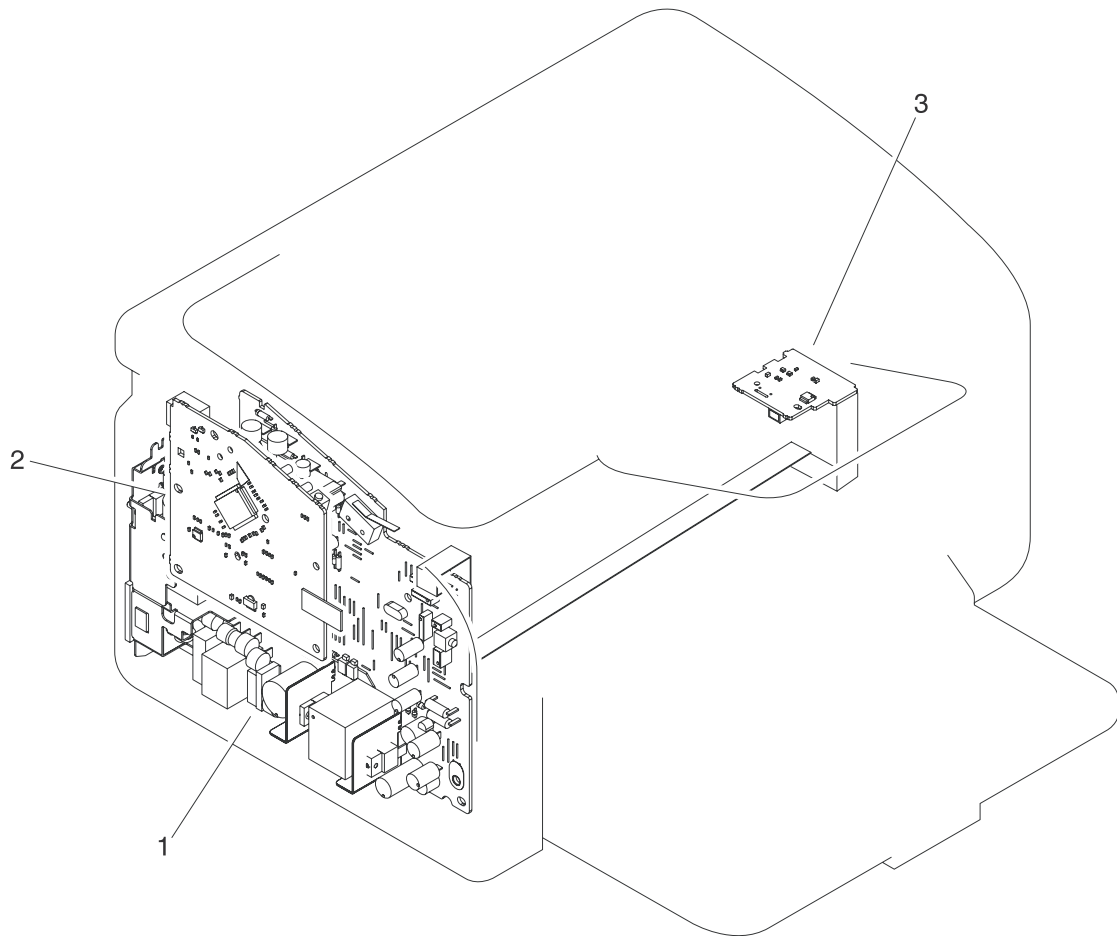


Table 6-1 Assembly locations (1 of 1)

Ref	Description	Part number	Qty
1	engine control PCB assembly	RM1-4601-000	1
1	engine control PCB assembly	RM1-4602-000	1
2	formatter PCB assembly	RM1-4607-000	1
2	formatter PCB assembly	RM1-4608-000	1
3	motor PCB assembly	RM1-4605-000	1

Covers

Figure 6-2 HP LaserJet P1006/P1008 covers

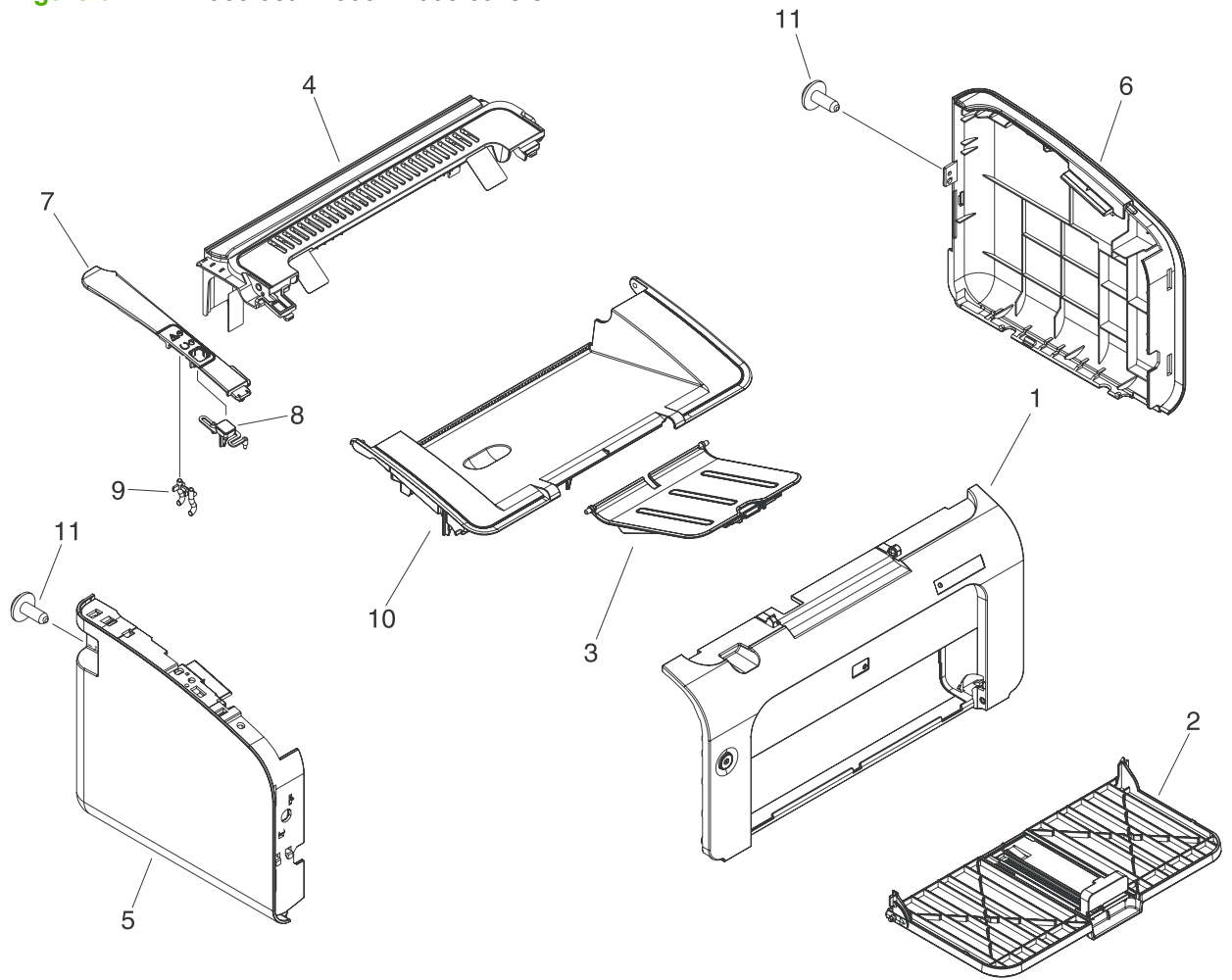


Table 6-2 HP LaserJet P1006/P1008 covers

Ref	Description	Part number	Qty
1	front cover assembly	RM1-3977-000	1
2	paper pick-up tray assembly	RM1-3979-000	1
3	paper delivery tray assembly	RM1-3981-000	1
4	face-down cover assembly	RM1-3983-000	1
5	left cover assembly	RM1-3985-000	1
6	right cover assembly	RM1-3987-000	1
7	plate, left	RC2-1097-000	1
8	button, cancel	RC2-1106-000	1
9	pipe, light	RC2-1108-000	1
10	door, cartridge	RC2-1206-000	1
11	screw, D, M3X8	XA9-1671-000	2

Figure 6-3 HP LaserJet P1005 covers

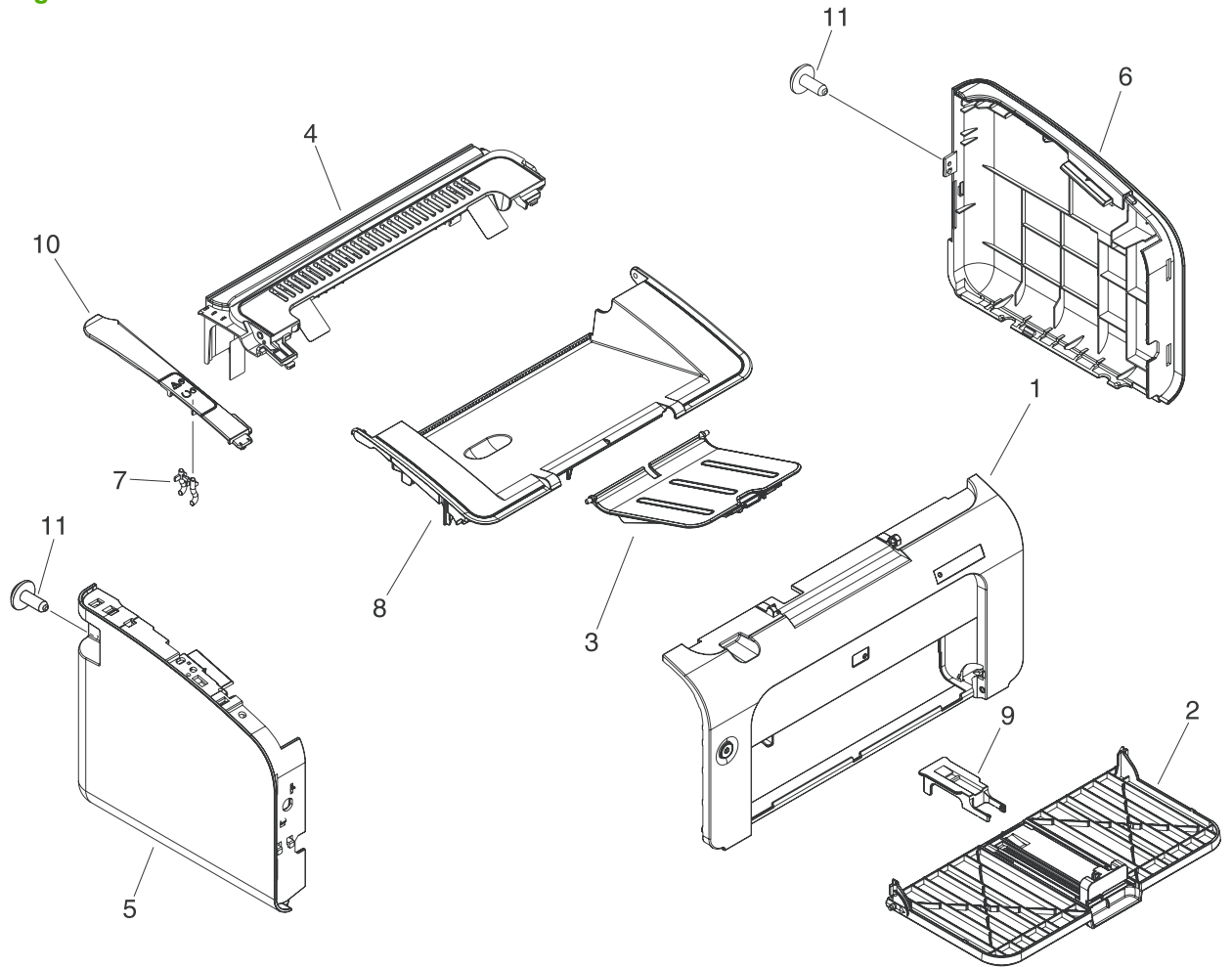


Table 6-3 HP LaserJet P1005 covers

Ref	Description	Part number	Qty
1	front cover assembly	RM1-3978-000	1
2	paper pick-up tray assembly	RM1-3980-000	1
3	paper delivery tray assembly	RM1-3982-000	1
4	face-down cover assembly	RM1-3984-000	1
5	left cover assembly	RM1-3986-000	1
6	right cover assembly	RM1-3988-000	1
7	pipe, light	RC2-1108-000	1
8	door, cartridge	RC2-1090-000	1
9	stopper, paper	RC2-1100-000	1
10	plate, left	RC2-1213-000	1
11	screw, D, M3X8	XA9-1671-000	2

Figure 6-4 HP LaserJet P1007 covers

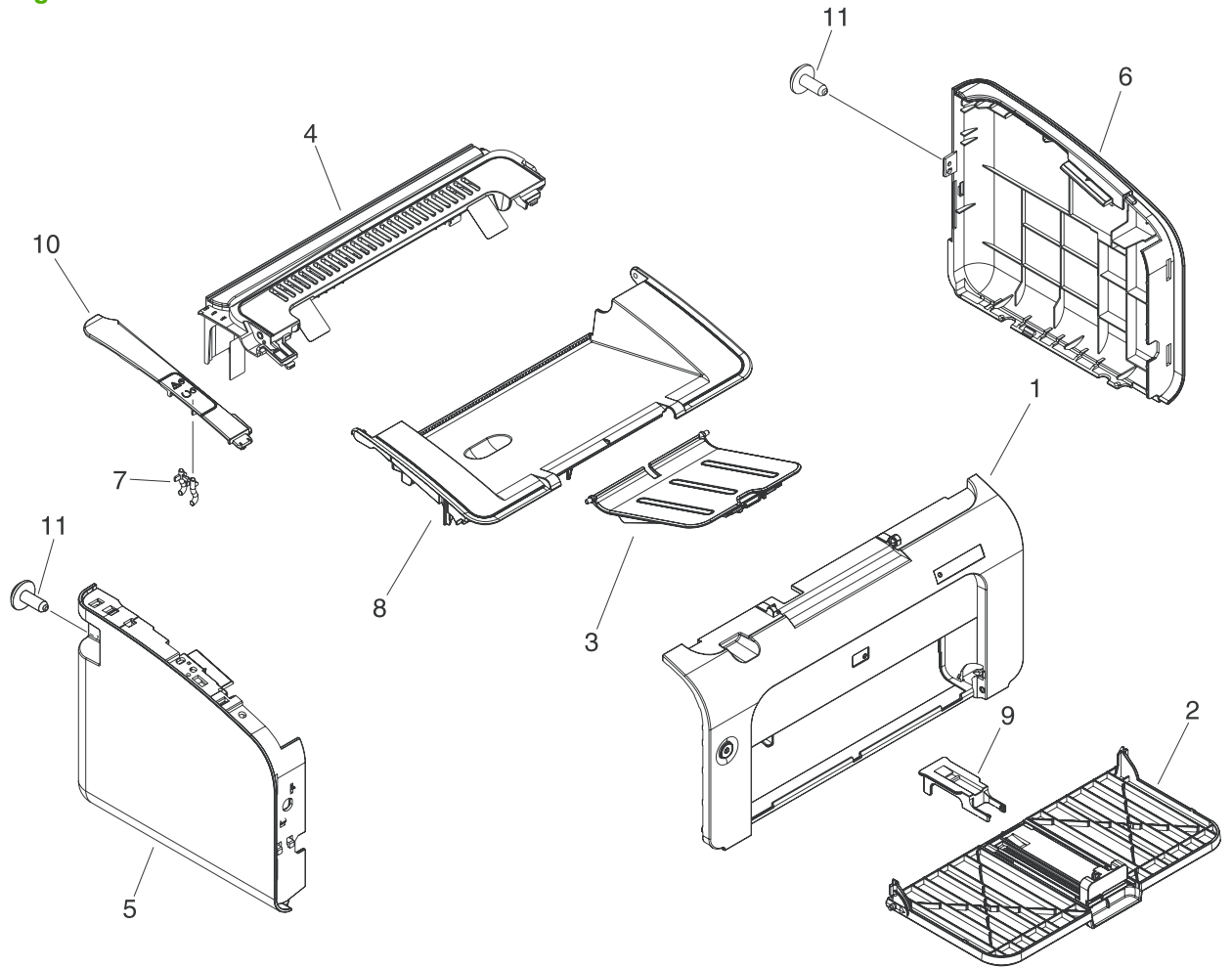


Table 6-4 HP LaserJet P1007 covers

Ref	Description	Part number	Qty
1	front cover assembly	RM1-4018-000	1
2	paper pick-up tray assembly	RM1-4019-000	1
3	paper delivery tray assembly	RM1-3981-000	1
4	face-down cover assembly	RM1-4020-000	1
5	left cover assembly	RM1-3985-000	1
6	right cover assembly	RM1-4021-000	1
7	pipe, light	RC2-1108-000	1
8	door, cartridge	RC2-1206-000	1
9	stopper, paper	RC2-1100-000	1
10	plate, left	RC2-1235-000	1
11	screw, D, M3X8	XA9-1671-000	2

Internal assemblies

Figure 6-5 Internal components (1 of 3)

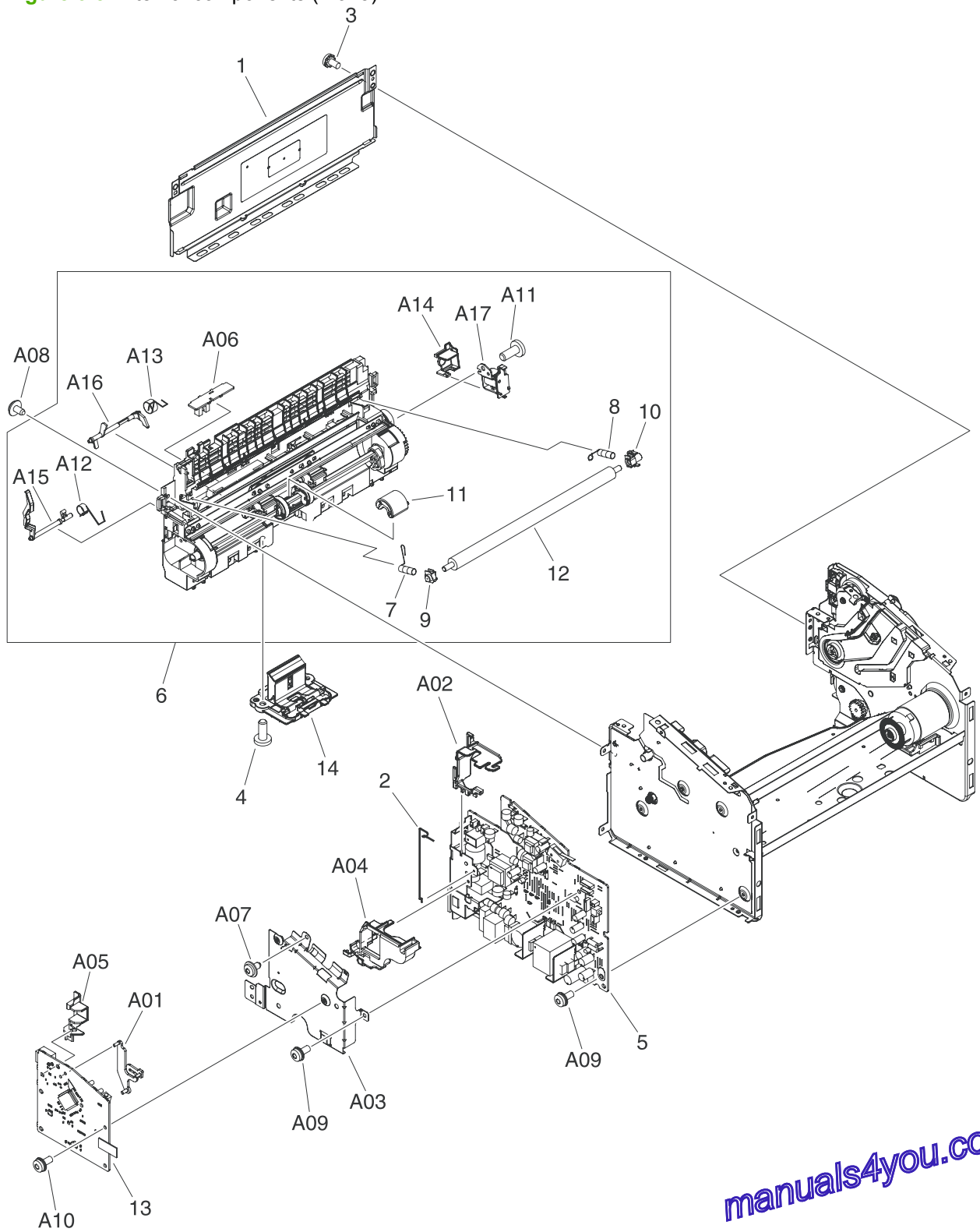


Table 6-5 Internal components (1 of 3)

Ref	Description	Part number	Qty
1	panel, rear	RC2-1123-000	1
2	contact, cable	RU5-2953-000	1
3	screw,W/washer,M3X6	XB2-7300-605	2
4	screw, P, M4X10	XB4-5401-005	2
5	engine control PCB assembly	RM1-4601-000	1
5	engine control PCB assembly	RM1-4602-000	1
6	pick-up transfer frame assembly	RM1-4001-000	1
7	spring, compression	RU5-2942-000	1
8	spring, compression	RU5-2941-000	1
9	bushing	RC2-1067-000	1
10	bushing	RC2-1066-000	1
11	roller, paper pick-up	RL1-1442-000	1
12	roller, transfer	RM1-4023-000	1
13	formatter PCB assembly	RM1-4607-000	1
13	formatter PCB assembly	RM1-4608-000	1
14	Separation pad assembly	RM1-4006-000	1
A01	spacer, formatter	RC2-1228-000	1
A02	guide, cable	RC2-1103-000	1
A03	crossmember, formatter	RC2-1127-000	1
A04	crossmember, ECU	RC2-1229-000	1
A05	cover, USB	RC2-1204-000	1
A06	sensor PCA assembly	RM1-4604-000	1
A07	screw, tap, M3X6	XA9-1503-000	2
A08	screw, D, M3X6	XA9-1670-000	21
A09	screw, W/washer, M3X8	XA9-1420-000	4
A10	screw, W/washer, M3X8	XA9-1420-000	4
A11	screw, P, M4X10	XB4-5401-005	1
A12	spring, torsion	RU5-2940-000	1
A13	spring, torsion	RU5-2939-000	1
A14	cover, solenoid	RC2-1194-000	1
A15	flag, cartridge detect sensor	RC2-1065-000	1
A16	flag, registration sensor	RC2-1064-000	1
A17	solenoid	RM1-4618-000	1

Figure 6-6 Internal components (2 of 3)

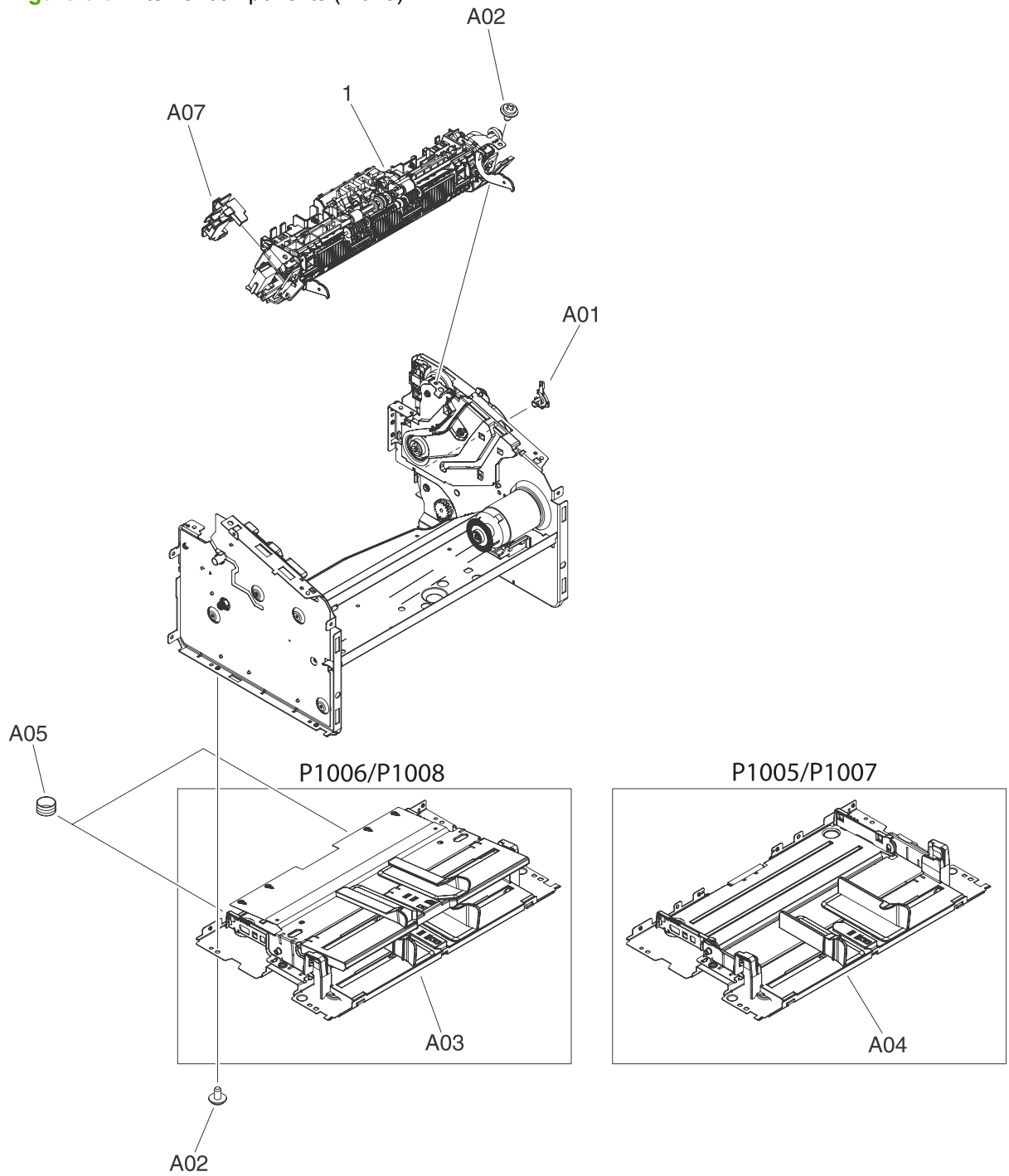


Table 6-6 Internal components (2 of 3)

Ref	Description	Part number	Qty
1	fixing paper delivery assembly	RM1-4007-000	1
1	fixing paper delivery assembly	RM1-4008-000	1
A01	SupPORT, SHAFT	RC2-1236-000	1
A02	screw, D, M3X6	XA9-1670-000	21
A03	base plate assembly	RM1-3995-000	1
A04	base plate assembly	RM1-4000-000	1
A05	spring, compression	RU5-2959-000	2
A06	guide, cable	RC2-1191-000	1

Figure 6-7 Internal components (3 of 3)

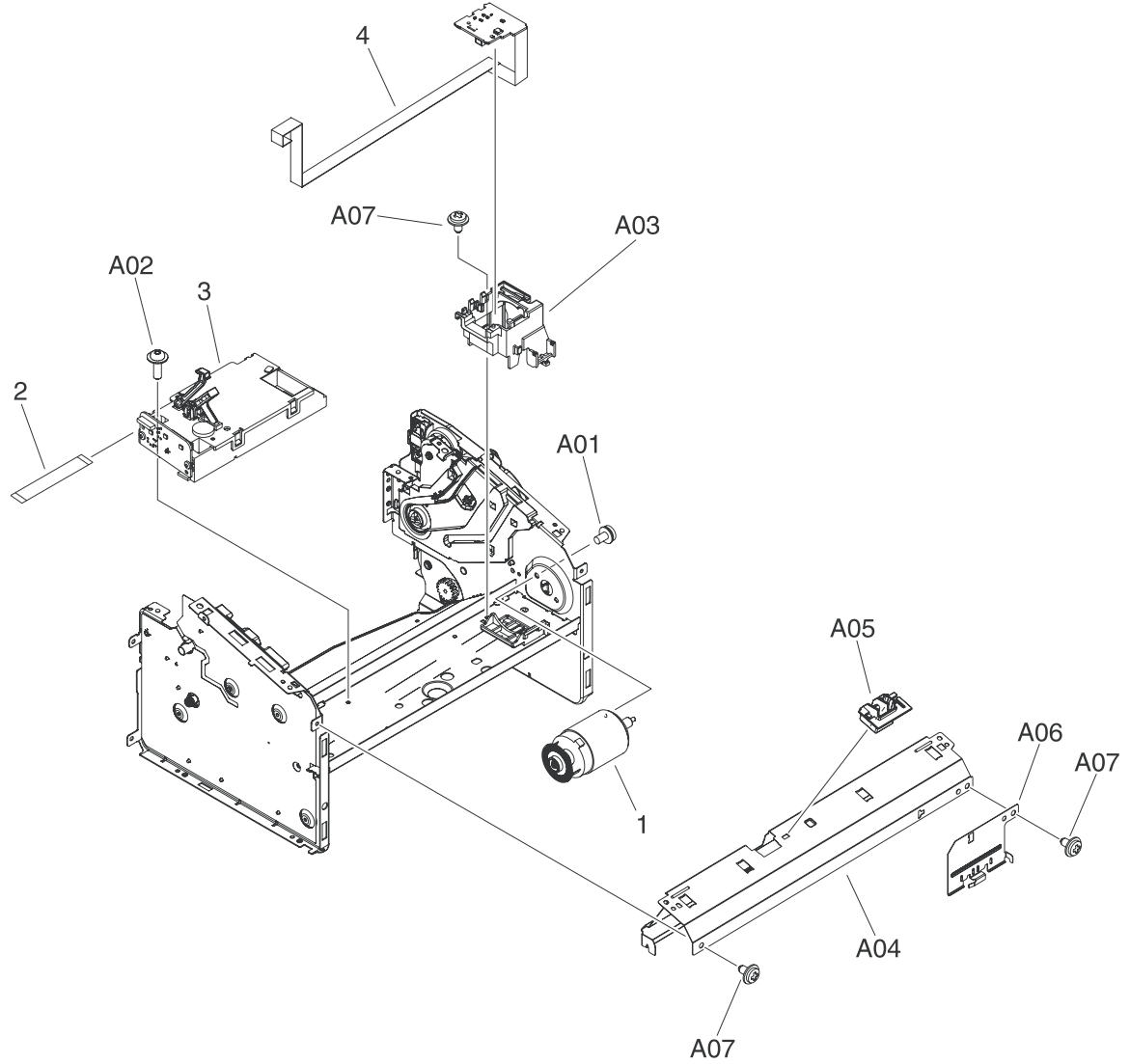


Table 6-7 Internal components (3 of 3)

Ref	Description	Part number	Qty
1	motor, DC24V	RL1-1450-000	1
2	FFC, laser	RK2-1697-000	1
3	laser scanner assembly	RM1-4030-000	1
4	motor PCB assembly	RM1-4605-000	1
A01	screw, RS, M3X6	XB2-8300-609	2
A02	screw, RS, M3X10	XA9-1501-000	4
A03	crossmember, motor	RC2-1109-000	1
A04	cover, scanner	RC2-1125-000	1
A05	hook, door	RC2-1102-000	1
A06	plate, motor shield	RC2-1179-000	1
A07	screw, D, M3X6	XA9-1670-000	21